

No. A1571

Replacing the sensor for HAKKO FR-830

⚠ WARNING

- Unless otherwise specified, turn the power switch OFF and unplug the power cord before replacing the heating element. Failure to do so may result in electric shock.
- Make sure the unit is sufficiently cool before replacing the sensor.

How to replace the sensor

1. Remove the cover.
2. Disconnect the sensor connector, the heater connector and fan connector. (Fig. 1)

NOTE:

- The heater connector has a lock button on its side facing the bottom. Disconnect it by depressing this lock button.
- Cut off the cable tie to free the tied wires.

3. Remove the both fan case set screws and the grounding wire set screw.
4. Loosen the sensor set screw and remove the sensor. (Fig. 2)
5. Install the new sensor. Insert the sensor in the correct position (The end of the sensor is inserted into the center of the heater pipe) and turn out the sensor set screw and fix the sensor. (Fig. 3)
6. Reassemble in the reverse order of disassembly.

NOTE:

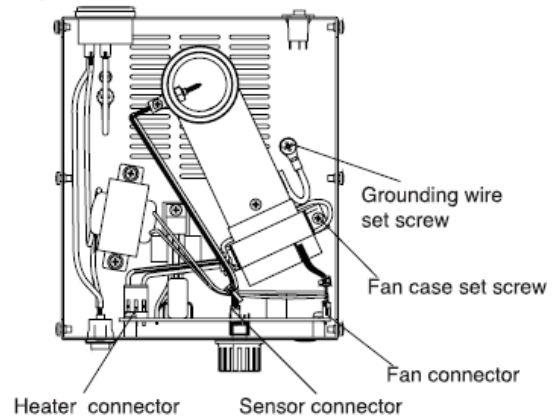
Tie with the included cable tie in the same way as before.

7. Turn the power switch ON. Check the temperature. Set the temperature control knob to 250°C. Measure the temperature directly above the sensor. The temperature should be approximately 250°C. Otherwise, adjust it by the temperature offset feature.

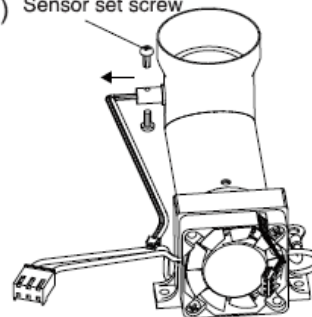
NOTE:

According to temperature offset function, refer to the HAKKO FR-830 instruction manual.

(Fig. 1)



(Fig. 2) Sensor set screw



(Fig. 3)

